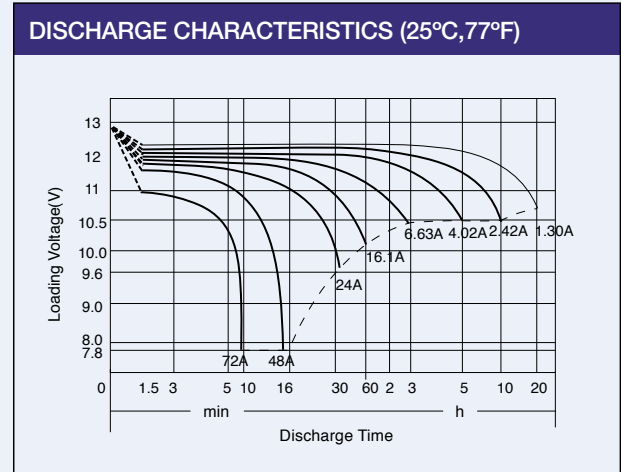
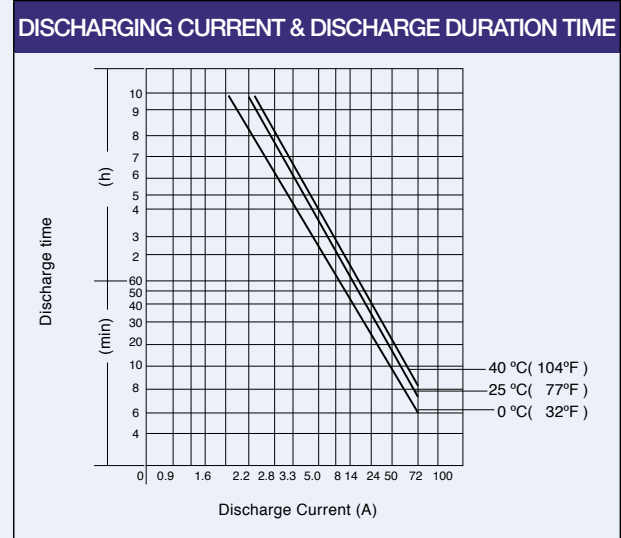
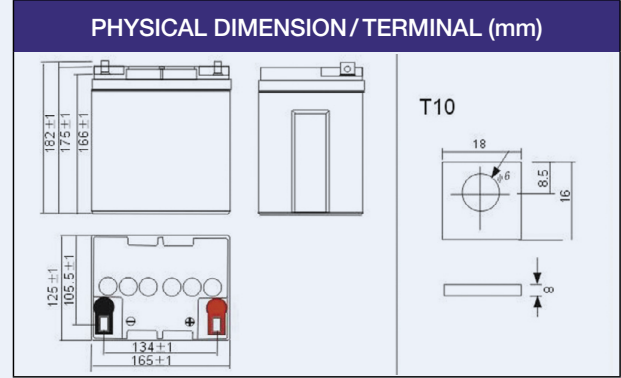


PS12260H Specifications



PHYSICAL SPECIFICATION		
Nominal Voltage		12V
Nominal Capacity (20HR)		26AH
Dimension	Length	165 ± 2mm (6.50 inches)
	Width	125 ± 2mm (4.92 inches)
	Container Height	175 ± 2mm 6.89 inches)
	Total Height (with Cover)	182 ± 2mm (7.17 inches)
Weight		Approx 8.7kg (19.18lbs)
Terminal Type		T10

ELECTRICAL SPECIFICATION					
Rated Capacity	20 hour rate (1.30A)	26.0AH	Constant-Voltage Charge	Cycle	Initial Charging Current less than 7.8A. Voltage 14.4V~15.0V at 25°C (77°F) Temp. Coefficient -30mV/°C
	10 hour rate (2.42A)	24.2AH			
	5 hour rate (4.42A)	22.1AH			
	1 hour rate (16.1A)	16.1AH			
	15minute rate (50.96A)	12.74AH			
Capacity affected by Temperature	40°C (104°F)	103%	Standby	No limit on Initial Charging Current Voltage 13.5V~13.8V at 25°C (77°F) Temp. Coefficient -20mV/°C	
	25°C (77°F)	100%			
	0°C (32°F)	86%			

CONSTANT CURRENT (AMP) AND CONSTANT POWER (WATT) DISCHARGE TABLE 7°F

Amp/Watt/Cell	Time (minute)	5	10	15	20	30	45	60	120	180	300	600	1200
	Final voltage/Cell	1.3	1.3	1.3	1.3	1.6	1.6	1.67	1.7	1.75	1.75	1.75	1.8
A		104.00	74.10	50.96	41.60	29.00	20.80	16.10	9.10	6.63	4.42	2.42	1.30
W		186.16	139.36	96.98	81.38	58.76	41.34	31.98	18.10	13.18	8.84	4.84	2.61

Trade Enquiries 1300 362 287
www.centurybatteries.com.au

