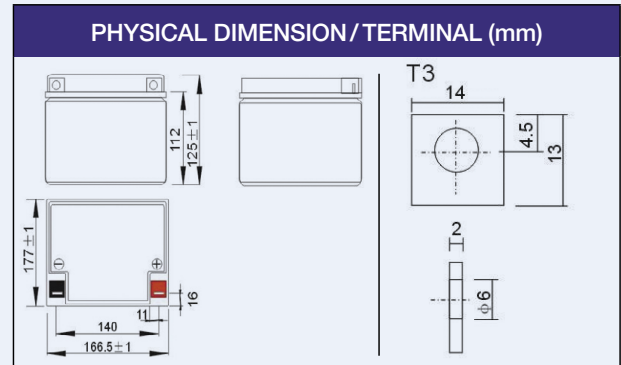
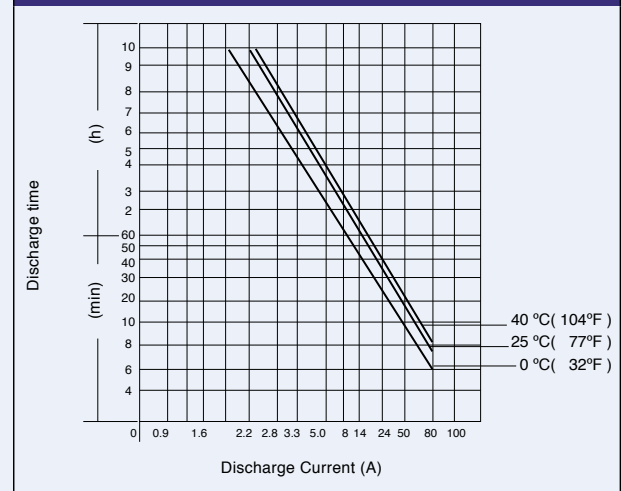


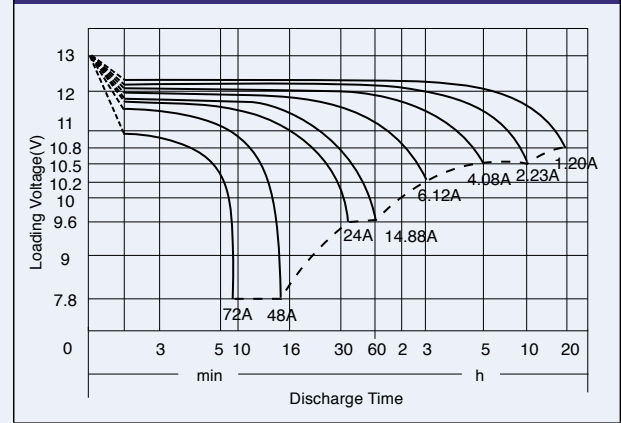
PS12240 Specifications



DISCHARGING CURRENT & DISCHARGE DURATION TIME



DISCHARGE CHARACTERISTICS (25°C, 77°F)



PHYSICAL SPECIFICATION

Nominal Voltage		12V
Nominal Capacity (20HR)		24AH
Dimension	Length	166.5 ± 1mm (6.56 inches)
	Width	175 ± 1mm (6.89 inches)
	Container Height	125 ± 1mm (4.92 inches)
	Total Height (with Cover)	125 ± 1mm (4.92 inches)
Weight		Approx 8.1kg (17.86lbs)
Terminal Type		T3

ELECTRICAL SPECIFICATION

Rated Capacity	20 hour rate (1.20A)	24.0AH	Constant-Voltage Charge	Cycle	Initial Charging Current less than 7.2A. Voltage 14.4V~15.0V at 25°C (77°F) Temp. Coefficient -30mV/°C
	10 hour rate (2.23A)	22.3AH			
	5 hour rate (4.08A)	20.4AH			
	1 hour rate (14.88A)	14.88AH			
	15minute rate (47.04A)	11.76AH			
Capacity affected by Temperature	40°C (104°F)	103%	Standby	No limit on Initial Charging Current Voltage 13.5V~13.8V at 25°C (77°F) Temp. Coefficient -20mV/°C	
	25°C (77°F)	100%			
	0°C (32°F)	86%			

CONSTANT CURRENT (AMP) AND CONSTANT POWER (WATT) DISCHARGE TABLE 7°F

Amp/Watt/Cell	Time (minute)	5	10	15	20	30	45	60	120	180	300	600	1200
	Final voltage/Cell	1.3	1.3	1.3	1.3	1.6	1.6	1.6	1.7	1.75	1.75	1.75	1.8
A		96.00	68.4	47.04	38.40	26.77	19.20	14.88	8.40	6.12	4.08	2.23	1.20
W		171.84	128.64	89.52	75.12	54.24	38.16	29.54	16.70	12.17	8.16	4.47	2.41

Trade Enquiries 1300 362 287
www.centurybatteries.com.au

